



http://www.tehtools.com

Mitre Saw

TMS25518 TMS25519

To Be Your Exclusive Helper



TEH

TECHNICAL SPECIFICATION

Model	TMS25518	TMS25519
Rated voltage	220V	220V
Rated frequency	50Hz	50Hz
Rated input power	1800w	1800w
Blade size	255mm	255mm
Inner hole of saw blade	25,4mm	25,4mm
No-load Speed	4600r/min	4600r/min
Groove depth (mm)	80mm	80mm
Groove width(mm)	340mm	340mm

COMPONENTS AND ACCESSORIES



Accessories

- 1 instruction manual
- 1 wrench
- 1 alloy saw blade
- 2 spare carbon brushes

1

INSTRUCTIONS

HANDING OF THE TOOL

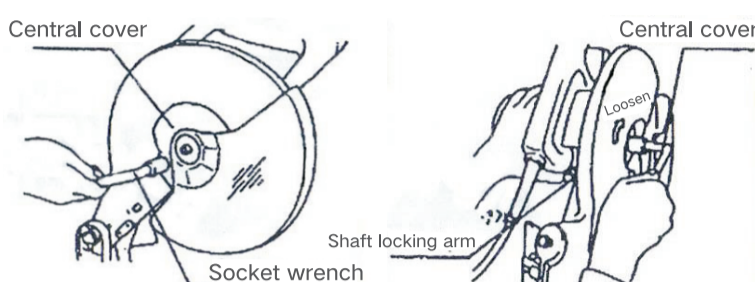
Before handing of the machine, secure the handle at its lowest position with the locking pin, and secure the rotary table by turning the rotary table handle. Then the tool can be carried conveniently by the handling grip.



CHANGING SAWBLADE

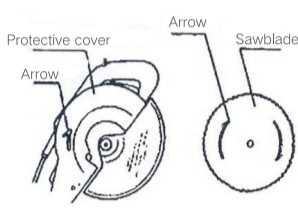
To remove the sawblade, loosen the bolt which fix the central cover by turning it counterclockwise using the socket wrench provided. Then, raise the central cover and move it down from the original position.

When removing sawblade, first raise the lowest position handle, press down the shaft locking arm to lock the sawblade, and loosen the hex bolt by turning clockwise using the socket wrench. Then, remove the hex bolt outer flange and sawblade.



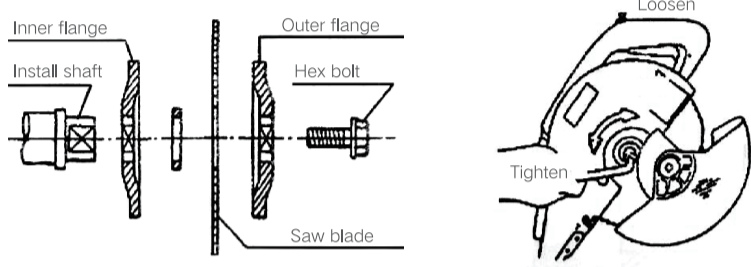
2

Install the new sawblade. Check that the teeth point in the direction of the arrow (See the protective cover).



Install the outer flange and the hex bolt. Then, press down the shaft locking arm, and tighten the hex bolt firmly by turning it counterclockwise using the socket wrench, then adjust the hex bolt in clockwise so as to fix the central cover.

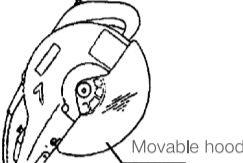
When removing sawblade, lift up movable hood and central cover. Loosen the hex bolt with the socket wrench, then remove the hex bolt, outer flange and sawblade.



3

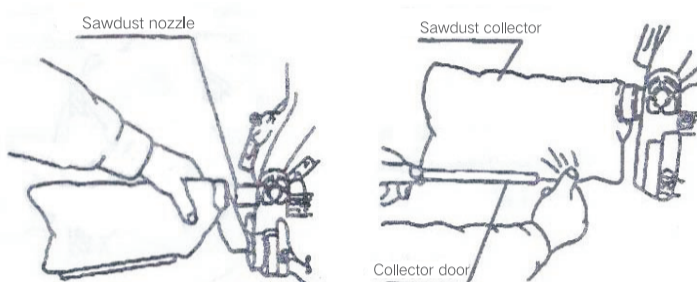
MOVABLE HOOD

When sawing, the movable hood will be lifted up by the workpiece. After you finish cutting, the movable hood will be reset to original position automatically with the handle raised. Never abandon or remove the movable hood.



SAWDUST COLLECTOR

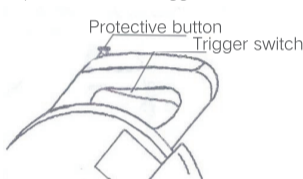
You can operate this machine more conveniently with the sawdust collector. Connect the adapter of the collector to the nozzle of the protective cover. Then, fix the collector inlet to the adapter of the collector. When the sawdust collector is half full, take the collector off from the protective cover and open the collector door at the bottom. Clean the sawdust completely.



4

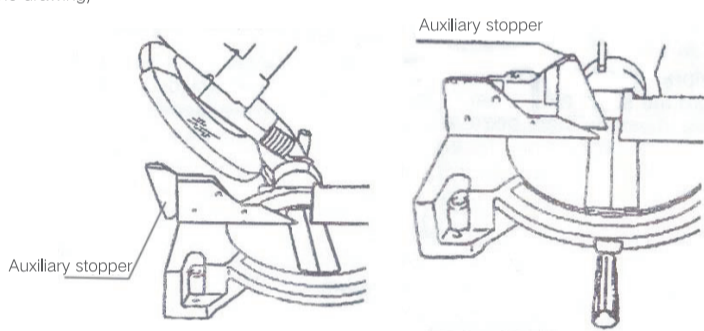
Collector door

To prevent accidental starting, the tool is equipped a protective switch. To start the tool, you should first press the protective switch and press down the trigger switch. Release the trigger switch, the tool is switched off.



AUXILIARY STOPPER

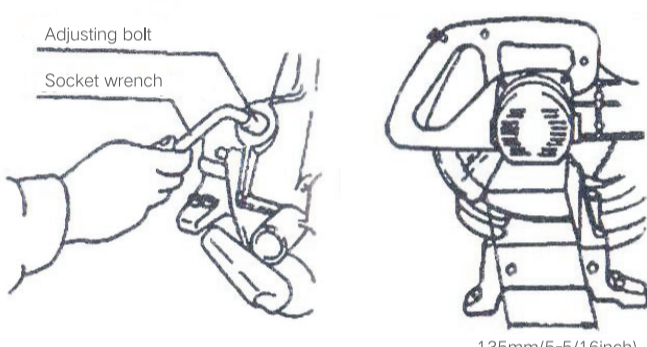
The tool is attached an auxiliary stopper, in normally condition, it is set as shown the drawing. But when the tool is used to make bevel cuts on the left, it should be installed on the left side (shown as the drawing).



5

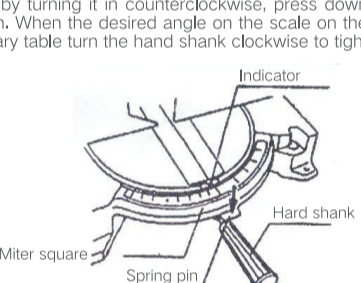
KEEP THE MAXIMUM CUTTING CAPACITY

Before any adjusting, remove the plug from the socket. This machine has been adjusted by the manufacturer to keep the maximum cutting capacity using a 260mm(10-7/32) sawblade. When the diameter of the sawblade becomes smaller because of grinding, loosen the adjusting bolt at the rear of the handle so as to adjust the adjusting bolt. Turning the adjusting bolt counterclockwise you can lower the sawblade. Turning it clockwise, you can raise the sawblade. When you have adjusted the handle to its lower-most position permitted, the distance between the front surface of the stop strip and the cutting edge of the sawblade is 135mm (5-5/16"). After removing the plug from the socket, turn the sawblade with a hand, and press down the handle with another hand all the while so as to make sure the sawblade doesn't contact any position of the base when the handle is lowered to its lowest position permitted.



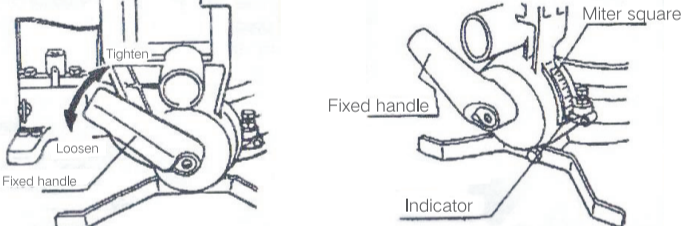
6

Loosen the hand shank by turning it in counterclockwise, press down the spring pin so that the rotary table is free to turn. When the desired angle on the scale on the base matches up with the arrow marked on the rotary table turn the hand shank clockwise to tighten it.



SET A BEVELLING ANGLE

Only when the auxiliary stopper is fixed on the left side as shown the drawing, the sawblade can be bevelled 45° angle. To adjust a beveling angle, loosen the fixed handle, then incline the sawblade to the left until the indicator reaches the desired angle on the miter square, tighten the fixed handle firmly.

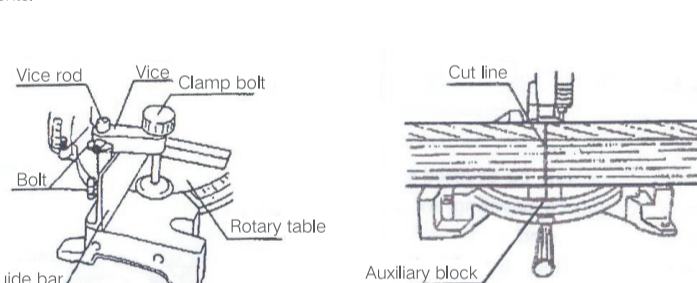


7

The vertical vice can be installed in hole of the guide bar or the workpiece supporter component (selective purchasing). Install the vice rod in the hole of the guide bar or workpiece supporter component, then tighten the bolt. You should adjust the position of the vice arm according as the thickness and shape of the workpiece and tighten the vice arm with bolt. Lean the workpiece against the guide bar and the rotary table, and place the workpiece on the desired cutting position. Then tighten the clamp bolt so as to secure the workpiece.

OPERATING

When you make cuts, a piece of workpiece (which thickness is same as the thickness of sawblade) will be cut out, so the cut line should be set on the left side or right side of the auxiliary block slot. Switch the machine on, and wait till the sawblade reach its maximum speed. Then, press the handle downwards slowly. As soon as the sawblade comes into contact with the workpiece, press the handle downwards slowly to begin the cut. After you have finished cutting, wait until the sawblade stops completely. Because the cutting chips may be ejected by the rotating sawblade to make accidents.



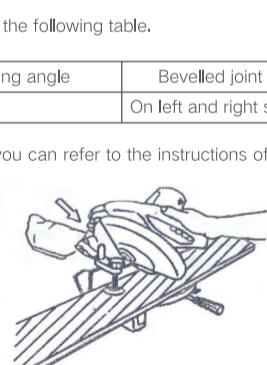
8

1. Bevelled joint cutting refer to the part of "SET A BEVELLED JOINT ANGLE"
2. Beveling cutting
Tilt the machine to the left, the machine can make cuts at 0° ~ 45°. Shown as the drawing, fixed the auxiliary stopper on the left side. Loosen the fixed handle and incline the sawblade to the desired angle, then fix the workpiece with the vice switch the machine on and wait till the sawblade reach its maximum speed, then press the handle downwards slowly. After you have finished cutting, switch the machine off and wait, until the sawblade stops completely, then raise the sawblade to its highest position.

3. Composite cutting
You can make composite cuts as the following table.

Bevelled cutting angle	Bevelled joint cutting angle
45°	On left and right side at 0° ~ 45°

When make composite cutting, you can refer to the instructions of "Bevelled joint cutting" and "Beveling cutting"



9

Check and remove the carbon brushes regularly. Replace when they wear down to the limit mark. Keep the carbon brushes clean and free to slip in the holders. Both carbon brushes should be replaced at the same time.
Use a screwdriver to remove the brush holder caps. Take out the worn carbon brushes, insert the new ones and secure the brush holder caps.

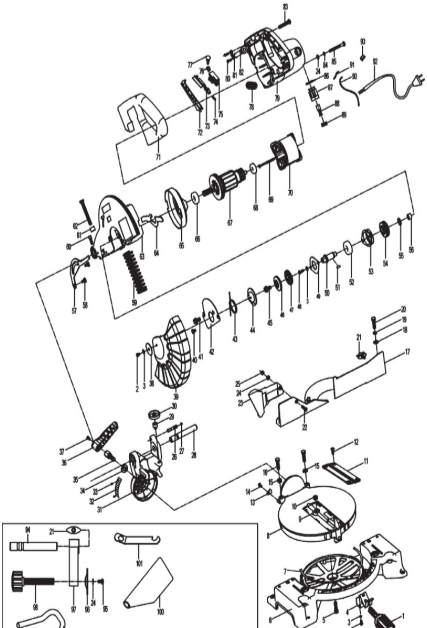
REPLACING THE CARBON BRUSHES

Use a screwdriver to remove the brush holder caps. Take out the worn carbon brushes, insert the new ones and secure the brush holder caps.



10

EXPLOSIVE VIEW



11

SPARE PARTS LIST

NO.	SPE.	NO.	SPE.
1	ANGLE JUST	25	SCREW NUT M6
2	SCREW M5X12	26	CROSS PIN
3	WAVE WASHER #5	27	"O" RING
4	DEGREE MARK	28	SHAFT OF BRACKET
5	SCREW NUT M8X30	29	SPRING BRACKET
6	BASE	30	"U" SPRING WASHER
7	SLIP RUBBER	31	BRACKET
8	BASE PLATE	32	RULE
9	FLAT WASHER	33	SCREW # 2.3
10	SCREW NUT M6	34	FLAT WASHER # 2.3
11	NUT ON BASE	35	SCREW NUT M10X30
12	SCREW M4X10	36	HANDLE
13	GUIDE	37	SCREW NUT M4X12
14	SCREW NUT M4X10	38	FLAT WASHER # 5
15	SCREW NUT M8	39	COVER
16	SCREW NUT M8X20	40	SCREW NUT M6X8
17	CROSS BAR	41	SCREW M6X14
18	FLAT WASHER # 8	42	FIXING FLANGE
19	FLAT WASHER # 8	43	SPRING
20	SCREW NUT M8X25	44	COVER FLANGE
21	SCREW NUT M6X14	45	SCREW NUT M8X16
22	SCREW NUT M6X25	46	OUTSIDE FLANGE
23	SMALL GUARD	47	INSIDE FLANGE
24	FLAT WASHER # 6	48	FRONT FLANGE

12

NO.	SPE.	NO.	SPE.
49	SCREW NUT M5X14	76	BUTTON OF SLIP SHEET
50	SPINDLE	77	BUTTON OF AUTO-LOCK
51	KEY	78	HOUSING
52	BEARING 6203	79	SPRING OF AUTO-LOCK
53	FRONT COVER	80	SCREW ST4X16
54	GEAR	81	FLAT OF CABLE
55	OUCH	82	PROTECT OF CABLE
56	NEEDLE BEARING	83	SCREW ST4X16
57	COUPLER	84	FLWAVE WASHER # 6
58	SCREW NUT M6X8	85	SCREW NUT M6X60
59	SPRING	86	SPRING
60	SCREW NUT M6X20	87	BRUSH HOUSING
61	RUBBER COVER	88	BRUSH
62	SCREW NUT M8X75	89	RUBBER COVER
63	BLADE COVER	90	COLLECT COVER
64	AUTO-LOCK SHEET	91	TERMINAL OF STATOR
65	BAFFUL	92	CORD WIRE
66	BEARING 6202RS	93	COLLECT PIN
67	ARMATURE	94	STRAIGHT PIN
68	BEARING 60002	95	SCREW NUT M5x8
69	SCREW ST6X65	96	DUMMY WAFER
70	HANDLER	97	COUPLER
71	STATOR COVER	98	SCREW NUT M10X10
72	BUTTON OF SWITCH	99	LONG POLE
73	SLIP SHEET OF SWITCH	100	BAG
74	SPRING OF SWITCH	101	SPANNER
75	SWITCH		

13

WARRANTY CARD

Dear customers, the warranty service for steering gear TEH products is as follows:
Under normal use, the wear of the rotor steering gear is less than 0.2 mm within three months from the date of purchase. It is guaranteed that the damage is caused by the quality of the tool.

The following conditions occur during the warranty period, not covered by the warranty:
a. Any valid legal document (single ticket) certifying the date of purchase
b. Any damage caused by natural wear and overload
c. Any damage caused by the use of low-priced inferior accessories
d. Any damage caused by improper carrying, transportation or storage
e. Any product that has been opened, repaired, replaced, or modified by itself
f. Any damage caused by misuse, beyond the scope of use of the tool, and failure to use and maintain in accordance with the instructions.

ladies/gentlemen: employer:
contact number: fax number:
contact address:
warranty record:
post code:

IMPORTANT NOTE
1. The invoice and warranty card must be presented at the time of warranty.
2. The fuselage number on the invoice is the same as the fuselage number on the warranty card.
3. Once this warranty card is issued, if it is lost, it will not be reissued. Please keep it properly.
Note: The company reserves the right to amend the above provisions and has the final interpretation right in the case that the warranty service does not violate national laws.

14