



[www.tehtools.com](http://www.tehtools.com)

Cordless Reciprocating Saw

**LRS622**

Tools for Every Home

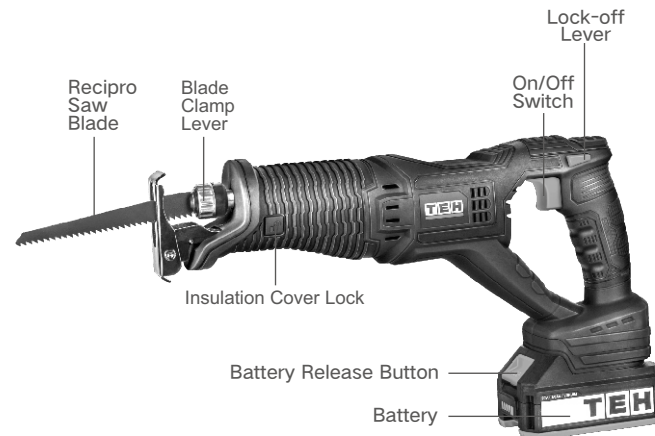


**TEH**

## TECHNICAL SPECIFICATION

Model		LRS622
Rated Voltage		DC 20V
Motor		Brushless
No Load Speed		0-2900r/min
Length of Stroke		22 mm
Max Cutting Capacities	Pipe	130 mm
	Wood	255 mm
Compatible Battery		LB2.0Ah/LB4.0Ah

## COMPONENTS AND ACCESSORIES



## SAFETY INSTRUCTIONS

### WARNING

**Read all instructions. Failure to follow all instructions listed below may result in electric shock, fire and/or other serious injury. The term “power tools” in all of the warnings listed below refers to mains-operated (corded) power tool or battery operated (cordless) power tool.**

### WORK AREA

- a) Keep work area clean and well lit. Cluttered and dark areas invite accidents.
- b) Do not operate power tools in explosive atmospheres, such as in the presence of flammable liquids, gases or dust. Power tools create sparks which may ignite the dust or fumes.
- c) Keep children and bystanders away while operating a power tool. Distractions can cause you to lose control.

### ELECTRICAL SAFETY

- a) Power tool plugs must match the outlet. Never modify the plug in any way. Do not use any adapter plugs with earthed (grounded) power tools. Unmodified plugs and matching outlets will reduce risk of electric shock.
- b) Avoid body contact with earthed or grounded surfaces such as pipes, radiators, ranges and refrigerators. There is an increased risk of electric shock if your body is earthed or grounded.
- c) Do not expose power tools to rain or wet conditions. Water entering a power tool will increase the risk of electric shock.
- d) Do not abuse the cord. Never use the cord for carrying, pulling or unplugging the power tools. Keep cord away from heat, oil, sharp edges or moving parts. Damaged or entangled cords increases the risk of electric shock.

- e) When operating a power tool outdoors, use an extension cord suitable for outdoor use. Use of a cord suitable for outdoor use reduces the risk of electric shock.
- f) If operating a power tool in a damp location is unavoidable, use a residual current device (RCD) protected supply. Use of an RCD reduces the risk of electric shock.

### PERSONAL SAFETY

- a) Stay alert, watch what you are doing and use common sense when operating a power tool. Do not use a power tool while you are tired or under the influence of drugs, alcohol or medication. A moment of inattention while operating power tools may result in serious personal injury.
- b) Use safety equipment. Always wear eye protection. Safety equipment such as dust mask, non-skid safety shoes, hard hat, or hearing protection used for appropriate conditions will reduce the risk of personal injuries.
- c) Prevent unintentional starting. Ensure the switch is in the off-position before connecting to power source and/or battery pack, picking up or carrying the tool.  
Carrying power tools with your finger on the switch or energizing power tools that have the switch on invites accidents.
- d) Remove any adjusting key or wrench before turning the power tool on. A wrench or a key to a rotating part of the power tool may result in personal injury.
- e) Do not overreach. Keep proper footing and balance at all times. This enables better control of the power tool in unexpected situations.
- f) Dress properly. Do not wear loose clothing or jewellery. Keep your hair, clothing and gloves away from moving parts. Loose clothes, jewellery or long hair can be caught in moving parts.
- g) Store idle power tools out of the reach of children and do not allow persons unfamiliar with the power tool or these instructions to operate the power tool. Power tools are dangerous in the hands of untrained users.
- h) Maintain power tools. Check for misalignment or binding of moving parts, breakage of parts and any other condition that may affect the power tool's operation. If damaged, have the power tool repaired before use. Many accidents are caused by poorly maintained power tools.

l) Keep cutting tools sharp and clean. Properly maintained cutting tools with sharp cutting edges are less likely to bind and are easier to control.

n) Use the power tool, accessories and tool bits etc. in accordance with these instructions, taking into account the working conditions and the work to be performed. Use of the power tool for operations different from those intended could result in a hazardous situation.

## USE AND HANDLING OF THE CORDLESS ELECTRICAL POWER TOOL

a) Charge a rechargeable battery unit using only the charger recommended by the manufacturer. Chargers are often designed for a particular type of rechargeable battery unit. There is the danger of fire if other types of rechargeable battery units are used.

b) Only the rechargeable battery units supplied are to be used with an electrical power tool. The use of other rechargeable battery units may lead to the danger of injury or fire.

c) When they are not being used, store rechargeable

battery units away from paperclips, coins, keys, nails, screws or other small metal objects that could cause the contacts to be bridged. Short-circuiting the contacts of a rechargeable battery unit may result in heat damage or fire.

d) Fluids may leak out of rechargeable battery units if they are misused. If this happens, avoid contact with the fluid. If contact occurs, flush the affected area with water. Seek additional medical help if any of the fluid gets into your eyes. Escaping battery fluid may cause skin irritation or burns.

## SERVICE

Have your power tool serviced by a qualified repair person using only identical replacement parts. This will ensure that the safety of the power tool is maintained.

## SPECIAL SAFETY DIRECTIONS FOR BATTERY-OPERATED TOOLS

a) Ensure that the device is switched off before inserting the battery. Inserting a battery into a power tool that is switched on may result in accidents.

b) Recharge the batteries indoors only because the battery charger is designed for indoor use only.

c) To reduce the electric shock hazard, unplug the battery charger from the mains before cleaning the charger.

d) Do not subject the battery to strong sunlight over long periods and do not leave it on a heater. Heat damages the battery and there is a risk of explosion.

e) Allow a hot battery to cool before charging.

f) Do not open up the battery and avoid mechanical damage to the battery. Risk of short circuit and fumes may be emitted that irritate the respiratory tract. Ensure fresh air and seek medical assistance in the event of discomfort.

g) Do not use non-rechargeable batteries!

## CORRECT HANDLING OF THE BATTERY CHARGER

a) This device can be used by children aged 8 and over and by people with reduced physical, sensory or mental capacities or with a lack of experience or knowledge, if they are supervised or have been instructed regarding safe use of the device and understand the resulting risks. Children are not permitted to play with the device. Cleaning and user maintenance are not to be undertaken by children without supervision.

b) Children should be supervised to ensure that they do not play with the appliance.

c) To charge the battery, use only the charger supplied. Risk of fire and explosion. This ensures that the safety of the device is maintained.

d) Before each use, check the charger, cable and plug and have them repaired by qualified professionals and only with original parts. Do not use a defective charger and do not open it up yourself. This ensures that the safety of the device is maintained.

- e) Connect the charger only to a socket with an earth. Ensure that the mains voltage matches the specifications on the charger rating plate. Risk of electric shock.
  - f) Disconnect the charger from the mains before closing or opening connection to the battery / power tool / device.
  - g) Keep the charger clean and away from wet and rain. Do not use the charger outdoors. Dirt and the entry of water increase the risk of electric shock.
  - h) Operate the charger only with the appropriate original batteries. Charging other batteries may result in injuries and risk of fire.
  - i) Avoid mechanical damage to the charger. This can result in internal short circuits.
  - j) Do not operate the charger on a combustible surface (e.g. paper, textiles). Risk of fire due to heating during charging.
  - k) If the power cable for this equipment is damaged, it must be replaced by the manufacturer, a customer service agent of the same or a similarly qualified person in order to prevent hazards.
  - l) The battery of the appliance is not fully charged at the time of delivery. It therefore needs to be fully recharged before you use it for the first time. For the first recharge cycle we recommend that you charge the battery for about 1 hour. Slot the battery into the base and plug the battery charger into a mains outlet.
  - m) When the battery is fully charged, unplug the charger from the mains and from the appliance. Charging time is approx. 1 hour.
  - n) Do not charge the battery continuously since this may damage the battery cells.
- Note: Repeatedly charging small capacities may damage the battery cells. Recharge the battery only if the appliance is becoming slow.
- o) Do not use the charger to charge non-rechargeable batteries.

## RESIDUAL RISKS

Even if properly operating and handling this electric tool, some residual risks will remain. Due to its construction and build, this electric tool may present the following hazards:

- a) Cuts
- b) Ear damage if working without ear protection.
- c) Damage to your health caused by swinging your hands and arms when operating the appliance for longer periods of time or if the unit is not held or maintained properly.

## WARNING

**During operation, this electric tool generates an electromagnetic field which, under certain circumstances, may impair the functionality of active or passive medical implants. To reduce the risk of serious or lethal injuries, we recommend that persons with medical implants consult their doctor and the manufacturer of their medical implant before operating the machine.**

## RECIPRO SAW SAFETY WARNINGS

1. Hold the power tool by insulated gripping surfaces, when performing an operation where the cutting accessory may contact hidden wiring or its own cord. Cutting accessory contacting a "live" wire may make exposed metal parts of the...power tool "live" and could give the operator an electric shock.
2. Use clamps or another practical way to secure and support the workpiece to a stable platform. Holding the workpiece by hand or against your body leaves it unstable and may lead to loss of control.
3. Always use safety glasses or goggles. Ordinary eye or sun glasses are NOT safety glasses.
4. Avoid cutting nails. Inspect workpiece for any nails and remove them before operation.
5. Do not cut oversize workpiece.
6. Check for the proper clearance beyond the workpiece before cutting so that the blade will not strike the floor, workbench, etc.

7. Hold the tool firmly.
8. Make sure the blade is not contacting the workpiece before the switch is turned on.
9. Keep hands away from moving parts.
10. Do not leave the tool running. Operate the tool only when hand-held.
11. Always switch off and wait for the blade to come to a complete stop before removing the blade from the workpiece.
12. Do not touch the blade or the workpiece immediately after operation; they may be extremely hot and could burn your skin.
13. Do not operate the tool at no-load unnecessarily.
14. Always use the correct dust mask/respirator for the material and application you are working with.
15. Some material contains chemicals which maybe toxic. Take caution to prevent dust inhalation and skin contact. Follow material supplier safety data.
16. Before operation, make sure that there is no buried object such as electric pipe, water pipe or gas pipe in the workpiece. Otherwise, the reciprocating saw blade may touch them, resulting in an electric shock, electrical leakage or gas leak.

## INSTALLATION INSTRUCTION

### NOTE ▲

Always be sure that the tool is switched off and unplugged before adjusting or checking function on the tool.

## INSTALLING OR REMOVING THE RECIPRO SAW BLADE

### WARNING ▲

**Always clean out all chips or foreign matter adhering to the blade and around the blade clamp. Failure to do so may cause insufficient tightening of the blade, resulting in a serious injury.**

Before installing the reciprocating saw blade, rotate the blade clamp lever (part of the blade clamp sleeve) to released position. After installing the saw blade, the blade clamp will automatically return to locked position.

Insert the reciprocating saw blade into the blade clamp as far as it will go. The blade clamp sleeve rotates and fixes the reciprocating saw blade. Make sure that the reciprocating saw blade cannot be extracted even though you try to pull it out.

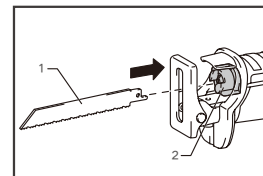
### WARNING ▲

**If you do not insert the reciprocating saw blade deep enough, the reciprocating saw blade may be ejected unexpectedly during operation. This can be extremely dangerous.**

To remove the reciprocating saw blade, rotate the blade clamp lever in the counter-clock direction. Pull the reciprocating saw blade when the blade clamp is in released position.

### WARNING ▲

**Keep hands and fingers away from the lever during the switching operation. Failure to do so may cause personal injuries.**



1. Recipro saw blade  
2. Blade clamp sleeve

## OPERATION INSTRUCTION

### SWITCH ACTION

#### WARNING ▲

1. Before plugging in the tool, always check to see that the switch trigger actuates properly and returns to the "OFF" position when released.
2. Switch can be locked in "ON" position for ease of operator comfort during extended use. Apply caution when locking tool in "ON" position and maintain firm grasp on tool.
3. Return the switch trigger to the "OFF" position in case of accidental unplugging, blackout, or the power is cut unintentionally. Otherwise the tool may start suddenly when the power returns and it may result in personal injury.

To start the tool, simply pull the switch trigger while pressing the lock-off button. Tool speed is increased by increasing pressure on the switch trigger. Release the switch trigger to stop.

### INSULATION COVER ADJUSTMENT

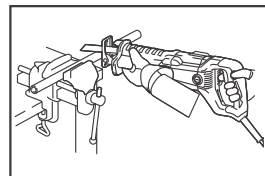
To adjust the insulation cover position, simply pull or push the insulation cover while pressing the lock button.

### OPERATION

#### WARNING ▲

1. Always hold the tool firmly with one hand on insulation cover and the other on the switch handle.
2. Always press the shoe firmly against the workpiece during operation. If the shoe is removed or held away from the workpiece during operation, strong vibration and/or twisting will be produced, causing the blade to snap dangerously.
3. Always wear gloves to protect your hands from hot flying chips when cutting metal.
4. Be sure to always wear suitable eye protection which conforms with current national standards.
5. Always use a suitable coolant (cutting oil) when cutting metal. Failure to do so will cause premature blade wear.
6. Do not quirk the blade during cutting.

Press the shoe firmly against the workpiece. Do not allow the tool to bounce. Bring the reciprocating saw blade into light contact with the workpiece. First, make a pilot groove using a slower speed. Then use a faster speed to continue cutting.



#### WARNING ▲

Do not cut the workpiece with the shoe away from the workpiece or without the shoe. Doing so increases the reaction force which may break the reciprocating saw blade.

## MAINTENANCE

### WARNING

Always be sure that the tool is switched off and unplugged before attempting to perform inspection or maintenance.

### NOTE

Never use gasoline, benzene, thinner, alcohol or the like. Discoloration, deformation or cracks may result.

To maintain product SAFETY and RELIABILITY, repairs, any other maintenance or adjustment should be performed by TEH Authorized or Factory Service Centers, always using TEH replacement parts.

## WARRANTY CARD

Dear customers, the warranty service for purchasing TEH products is as follows:

Under normal use, within one year from the date of purchase. It is guaranteed that the damage is caused by the quality of the tool.

The following conditions occur during the warranty period, not covered by the warranty:

- Any valid legal document (single ticket) certifying the date of purchase
- Any damage caused by natural wear and overload
- Any damage caused by the use of low-priced inferior accessories
- Any damage caused by improper carrying, transportation or storage
- Any product that has been opened, repaired, replaced, or modified by itself
- Any damage caused by misuse, beyond the scope of use of the tool, and failure to use and maintain in accordance with the instructions

-----  
 ladies/gentlemen : \_\_\_\_\_ employer : \_\_\_\_\_

contact number : \_\_\_\_\_ fax number : \_\_\_\_\_

contact address : \_\_\_\_\_

warranty record : \_\_\_\_\_

post code : \_\_\_\_\_

### IMPORTANT NOTE

- The invoice and warranty card must be presented at the time of warranty.
- The fuselage number on the invoice is the same as the fuselage number on the warranty card.
- Once this warranty card is issued, if it is lost, it will not be reissued. Please keep it properly.

Note: The company reserves the right to amend the above provisions and has the final interpretation right in the case that the warranty service does not violate national laws.